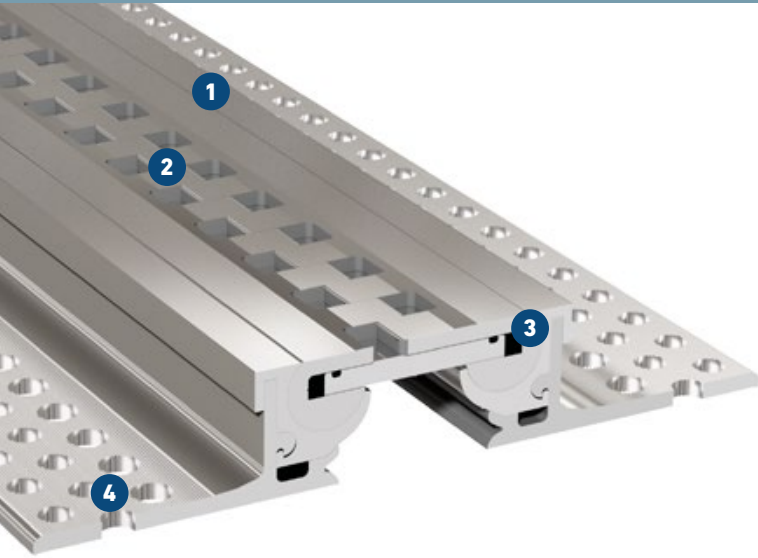


FS 100

HEAVY DUTY EXPANSION JOINT FOR TRANSPORT FREE FROM VIBRATION

MIGUTRANS

HEAVY-DUTY ALL-METAL JOINT SOLUTIONS FOR LARGE TRAFFIC LOADS



- 1 Solid all-metal expansion joint**
hard wearing, maintenance-free, long lasting
- 2 Transportation free from vibration**
suitable for transport of sensitive goods
- 3 Articulated telescoping system**
absorbs movement in 3 directions
- 4 MultiHole mounting bracket**
for secure fixing

Official test certificate on load capacity available

Expansion joint cover	Joint width max.	Total movement	Visible width	Total width	Joint height	Load bearing capacity	Load bearing capacity	Load bearing capacity
	b_f [mm]	Δb_f [mm]	b_s [mm]	b_t [mm]	h [mm]	[kN]	[kN]	solid plastic tyres [kg/mm]
FS 100/30	50	20 (± 10)	102	236	30	300	75	9
FS 100/40	50	20 (± 10)	102	236	40	300	75	9
FS 100/50	50	20 (± 10)	102	236	50	300	75	9

Production length: 4 m

Standard colour: Aluminium

